



[www.onetouch2you.com](http://www.onetouch2you.com) 3/21/2006

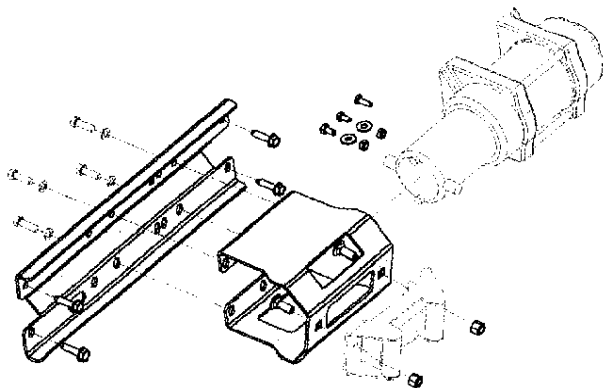
## 2005-2006 POLARIS Sportsman Winch Mount

400 450/500/500EFI/600/700/700EFI/800EFI/X2

PART# 0506-SP-POL

### Kit Components:

Qty	Part Description
1	Winch Mount mounting channel
1	Winch Mount fairlead bracket
4	5/16-18 x 1 1/4 Self-tapping Hex Head
2	1/4-20x 1.00" Hex Head Bolts
2	1/4" Flat Washers
2	1/4-20 Locking Hex Nuts
1	6mm x 18mm Battery Bolt



### INSTALLATION INSTRUCTIONS:

- Assemble the Hawse or Roller Fairlead (not included) to the fairlead bracket as shown using the supplied hardware.
- Assemble your winch (not included) to the fairlead bracket and mounting channel as shown using the hardware supplied with your winch kit.
- Remove the seat.
- Disconnect the positive (red) and negative (black) wires from the battery.
- Disconnect the left-hand and right-hand headlight plugs. These are located just behind the headlights.
- Remove the **Main Access Cover** located in the front storage box.
- Remove the **Front Bulkhead Access Cover** located just below the headlight pod.
- Remove the **Bumper Access Cover** by pulling outwards until the bottom tabs snap out, then lift up.
- Remove the four bolts holding the front bumper, and remove the bumper.
- Holding the winch assembly in the location in figure 3, route the winch wires (shortest ones) under the front storage box and up through the **Main Access Cover**.
- Fasten the winch assembly to the front bumper support using four 5/16" x 1 1/4" self-tapping bolts (included). Torque to 18 ft. lbs.
- Reassemble the front bumper and attach the headlight wires.
- Route the switch wires (not included) through the upper headlight pod, through the steering post hole, and to the bulkhead (just below the headlight pod). Secure the switch in a desired location.
- Locate the main wire harness just below the headlight pod. Find the orange/white wire connector wrapped in shrink-wrap and cut a slit along the width in the end of the shrink-wrap.
- Connect the switch accessory wire (if available with your winch kit) from the winch's switch to the orange/white wire from the main harness on your ATV.
- Continue to route the winch wires from the winch up to the front bulkhead and over to the right side splash shield location.