

Winch Mount Installation Instructions

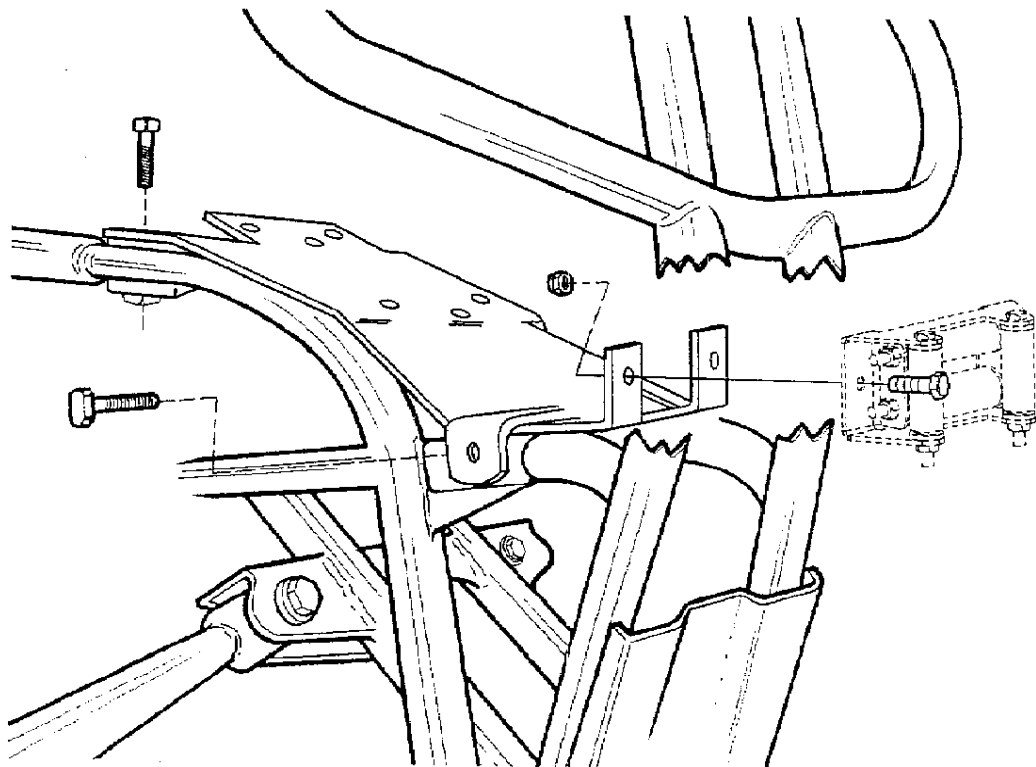
for '93-'00 Honda TRX300

Part Number: 1588X

Qty.	Part#	Description
1	FG888	Winch Mount
2	FG887	1-1/8" U-Clamp w/ Welded Nuts
2	HDW1076	10mm x 50mm Hex Bolts
2	HDW1052	8mm x 25mm Hex Bolts
2	HDW2050	5/16" x 3/4" Hex Bolts
2	HDW7058	5/16" Nylock Nuts

INSTRUCTIONS:

1. Install the winch to the top of the winch mount using the hardware provided with the winch.
2. Install the roller fairlead to the winch mount using (2) 5/16" x 3/4" bolts and 5/16" Nylock nuts provided. (rollers should turn freely). **Note:** bottom roller may need to be removed to run wire rope through.
3. Temporarily remove the front bumper assembly by taking out eight mounting bolts. Retain six of the bolts for later use. Lift the front fender approximately 3" to gain clearance for the installation.
4. Install the winch and mount by placing the mount on the frame rails per the illustration. Install the (2) u-clamps around the frame rails from the inside facing out and under the mount plate. Install the (2) 10mm x 50mm bolts from the top down and tighten. **NOTE:** When installing some winches, the black cover on rear of the headlight, on the side of the winch motor, may need to be removed for clearance.
5. Reinstall the front bumper assembly using the (2) 8mm x 25mm flanged bolts provided, and the six bolts previously removed.
6. Using the instructions provided with the winch, wire accordingly.



For questions regarding installation, please call: 763-689-4800

All images used are copyrighted property of CMP and may not be used without permission.

Inst1588X 05/24/05