

Receiver Hitch Installation Instructions

KAWASAKI

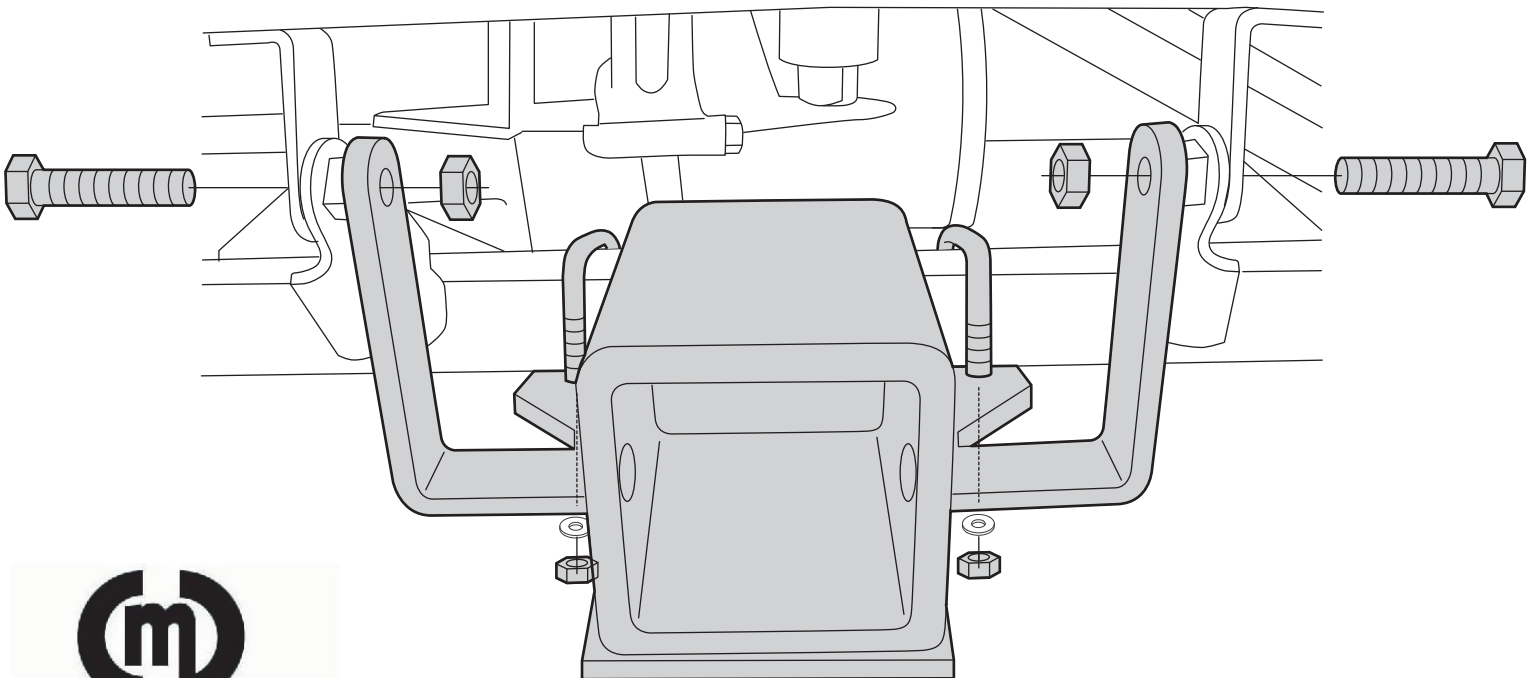
'05-'09 610 Mule

Part Number: 1269

Qty.	Part#	Description
1	1269-1	Hitch
2	HDW1041	8mm Nylock Nuts
2	HDW1055	8mm x 35mm Hex Bolts
2	HDW2401	5/16" x 2" x 2-1/2 Square U-Bolts
4	HDW7058	5/16" Nylock Nuts
4	HDW9002	5/16" Flat Washers

INSTRUCTIONS:

1. Remove the 15mm OEM bolts and washers and discard.
2. Install the (2) square U-Bolts around the frame per the illustration using the washers and nuts provided. Do not tighten.
3. Install the (2) 8mm x 35mm bolts and nuts provided per the illustration.
4. Tighten all nuts and bolts.



Cambridge Metals & Plastics®
500 South Cleveland Cambridge, MN 55008
763-689-4800