

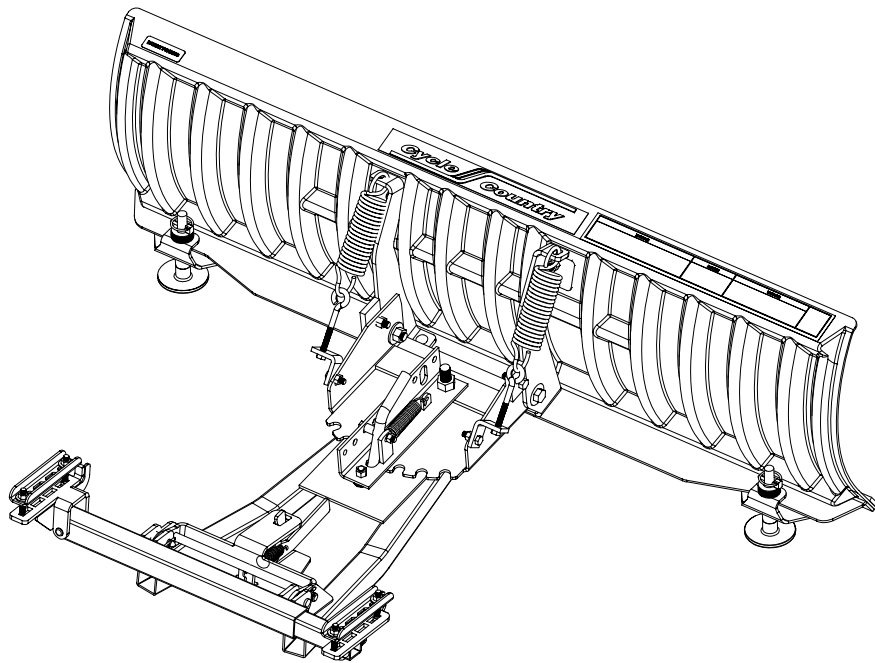


1701 38TH AVE W
PO BOX 257
SPENCER, IA 51301
PHONE: 712-262-4191
FAX: 712-262-0248
SERVICE: 800-841-2222
E-MAIL: ccac@cyclecountry.com
www.cyclecountry.com

A.R.M. 52" POLY PLOW BLACK **With** **QUICK ATTACH MOUNTING SYSTEM**

MODEL NUMBER 10-0300

Owner's Manual



**CUSTOMER MUST RECEIVE A COPY OF THIS
OWNERS MANUAL AT TIME OF SALE**



1701 38TH AVE W
PO BOX 257
SPENCER, IA 51301
PHONE: 712-262-4191
FAX: 712-262-0248
SERVICE: 800-841-2222
E-MAIL: ccac@cyclecountry.com
www.cyclecountry.com

ONE YEAR LIMITED WARRANTY

For the period of one year from the purchase date Cycle Country Accessories Corporation will replace for the original purchaser, free of charge, any part or parts, when found, upon examination by Cycle Country Accessories Corporation, to be defective in material, workmanship, or both.

All transportation cost incurred by the purchaser in submitting the material to Cycle Country Accessories Corporation for replacement under this warranty must be borne by the purchaser. If Cycle Country Accessories Corporation determines that the product must be returned to the factory for credit please call 1-800-841-2222 for an RMA number and shipping instructions.

The warranty does not apply to parts that have been damaged by accident, alteration, abuse, improper lubrication, normal wear, or other causes beyond Cycle Country Accessories Corporation's control. Products such as engines, electric motors, and actuators may carry an original manufacturer's warranty. Please call Cycle Country Accessories Corporation for information.

A.R.M. 52” Poly Plow with Universal Mounting System

The A.R.M. plow system attaches to your ATV and allows you to push snow, rock, gravel or other loose material. It is designed to fit most ATV models with 300cc or larger engines. The plow system attaches to your ATV’s front suspension A-arms and can be detached quickly and easily when not needed. The seven position plow hinge design allows the operator to select the angle of the plow. The plow is spring loaded to allow it to handle impacts with small obstructions. In case of an excessive impact, shear pins in the plow mounting system are designed to prevent damage to your ATV.

This system includes:

- **52” Wide Plow**
- **Quick Attach Push Tube and Blade Hinge**
- **Universal Mounting System**

This system **DOES NOT** include a plow lifting system. A plow lifting system **IS REQUIRED** to raise and lower the plow and must be purchased separately. You may use either a Cycle Country Electric Lift Kit (Model No. 10-0103) or any commercially available ATV winch.

OPERATING INSTRUCTIONS-READ BEFORE OPERATING

WARNING!

TO AVOID SERIOUS INJURY OR DEATH:

- Do not exceed 5 MPH with plow installed.
- Operators should be 16 years of age or older.
- Due to reduced ground clearance, remove plow mounting hardware before off road riding.
- Operate with extreme caution on slopes, steep grades and rough terrain.
- Keep all bystanders a minimum of 5 Feet away from the ATV and plow when it is in operation.
- Do not ram the plow into piles of snow or dirt.
- Be aware of possible hidden objects under snow. Do not use this equipment at night or when weather limits visibility, unless your ATV has adequate lighting.
- Read plow owner’s manual, ATV operator’s manual and safety decals before operating.
- Wear head protection, safety glasses and shoes as recommended in the ATV operators manual.
- Do not allow riders on plow or ATV.
- Before adjusting plow angle, stop ATV engine, set and lock brakes and raise the plow, using the lift system. Do not lift the plow by hand.
- When plow is not in use, stop ATV engine, set and lock brakes and lower plow to the ground.

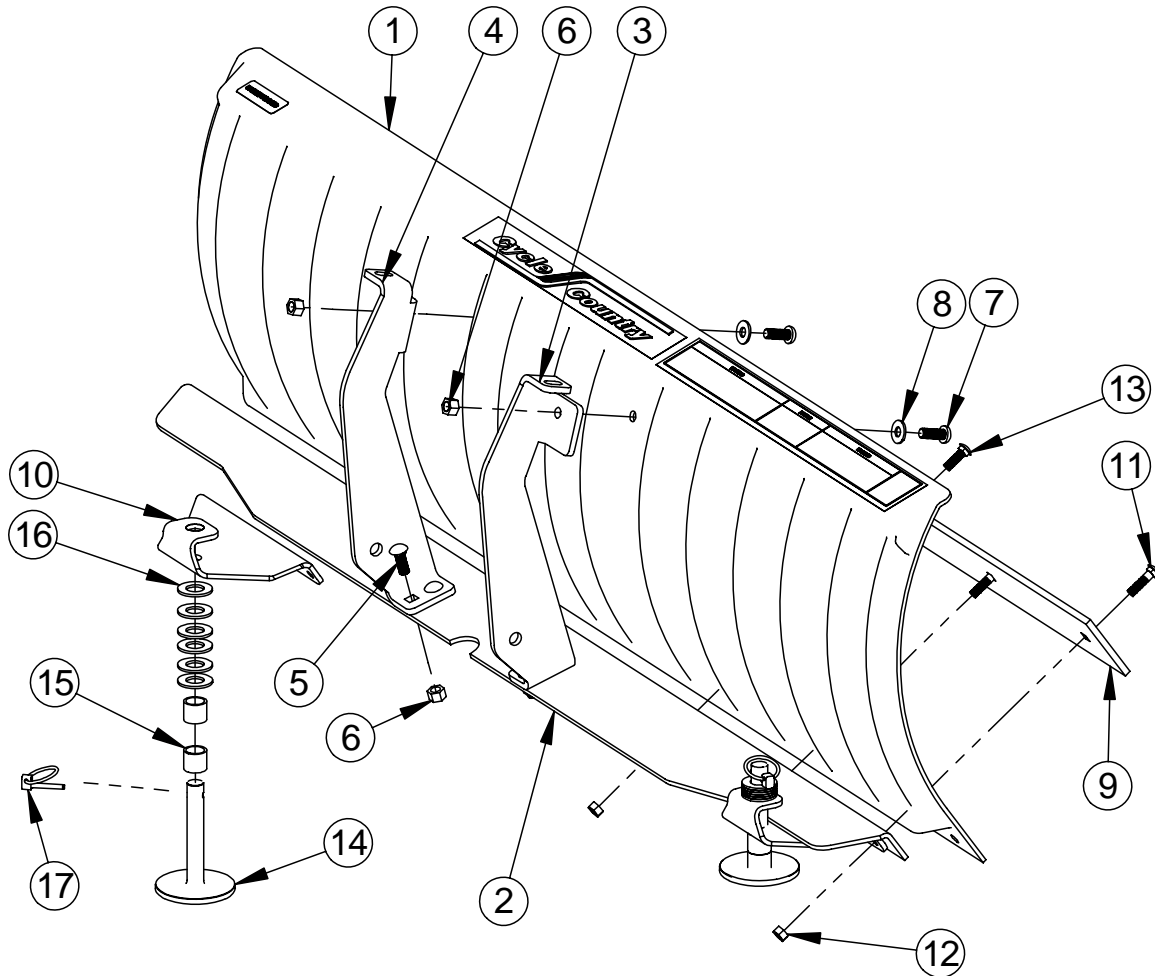
OPERATION & MAINTENANCE

- For best results set the suspension of the ATV to the stiffest setting.
- The plow angle is adjustable. To adjust the plow angle, first raise the plow, then push the blade position lever down and turn the plow to the desired position. The blade position lever will spring back into the locked position when the plow is at the correct angle.
- The plow skids can be adjusted to set the plow clearance with the ground.
- The plow is designed to trip when it strikes an object or digs in too far. When pressure is released, the plow springs back into position. Plow spring tension can be increased by tightening the locknuts on the bottom of the eyebolts. For less spring tension, loosen the locknuts.
- When plowing snow or dirt into a pile, back up before raising the plow.
- Periodically check for wear and tightness of all bolts, nuts and fasteners. Replace or tighten as necessary.

INSTALLATION INSTRUCTIONS

STEP 1

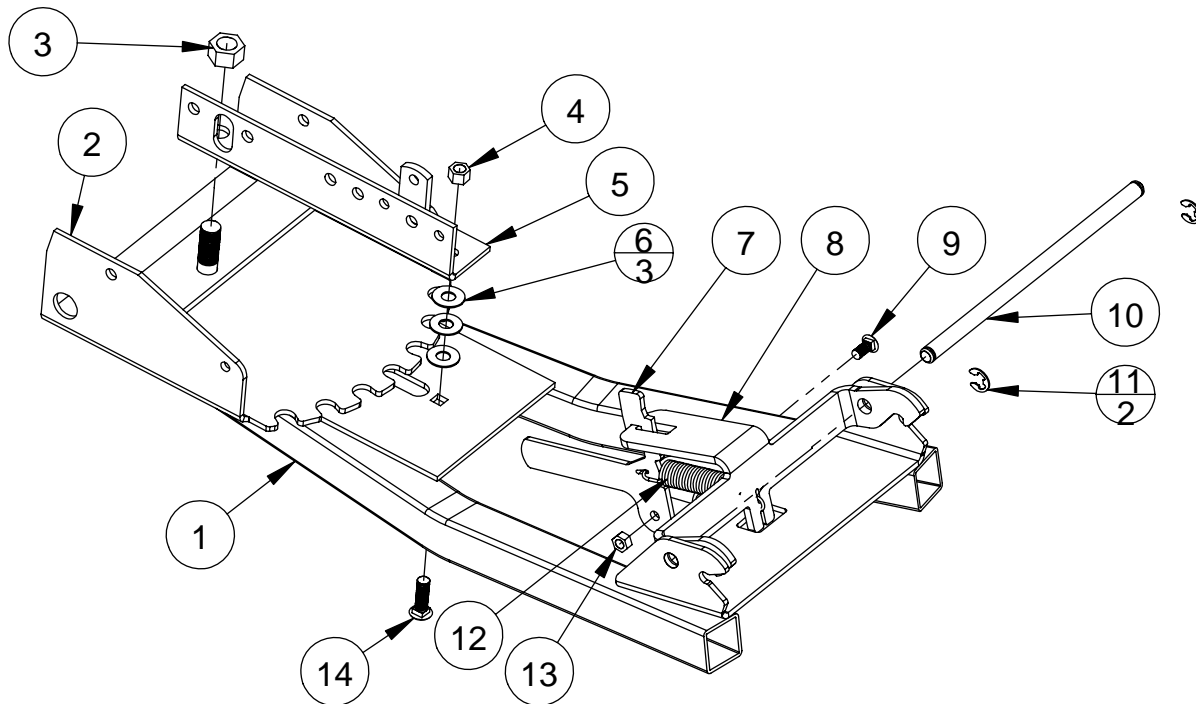
Assemble the angle, ribs, wear bar and skids to the plow as shown below. The spacers and washers (Items 15 & 16) can be assembled in any order to set the desired clearance between the plow and the ground.



Blade Assembly Parts List

ITEM NO.	QTY.	PART NO.	DESCRIPTION	ITEM NO.	QTY.	PART NO.	DESCRIPTION
1	1	CYC1006	Blade Assembly 52" Poly Plow Black	10	2	CYC1011	Skid Bracket
2	1	CYC1007	Angle	11	4	PUR1191	Carriage Bolt 5/16" x 1-1/4"
3	1	CYC1008	Rib RH	12	8	PUR1275	Locknut 5/16" Nylock Clear Zinc
4	1	CYC1009	Rib LH	13	4	PUR1189	Carriage Bolt 5/16" x 1" Clear Zinc
5	4	PUR1185	Carriage Bolt 3/8" x 1"	14	2	PUR1467	Skid
6	6	PUR1272	Locknut 3/8" Nylock	15	4	PUR0400	Spacer
7	2	PUR2263	3/8" x 1" Button Head Screw	16	12	PUR1246	Flatwasher 5/8 SAE
8	2	PUR2010	Flatwasher 5/16" Black	17	2	PUR1359	Quick Pin .1875 x 1.5
9	1	12-0140	Wear Bar 52" Double Sided				

The push tube assembly comes pre-assembled and is shown below for reference only.

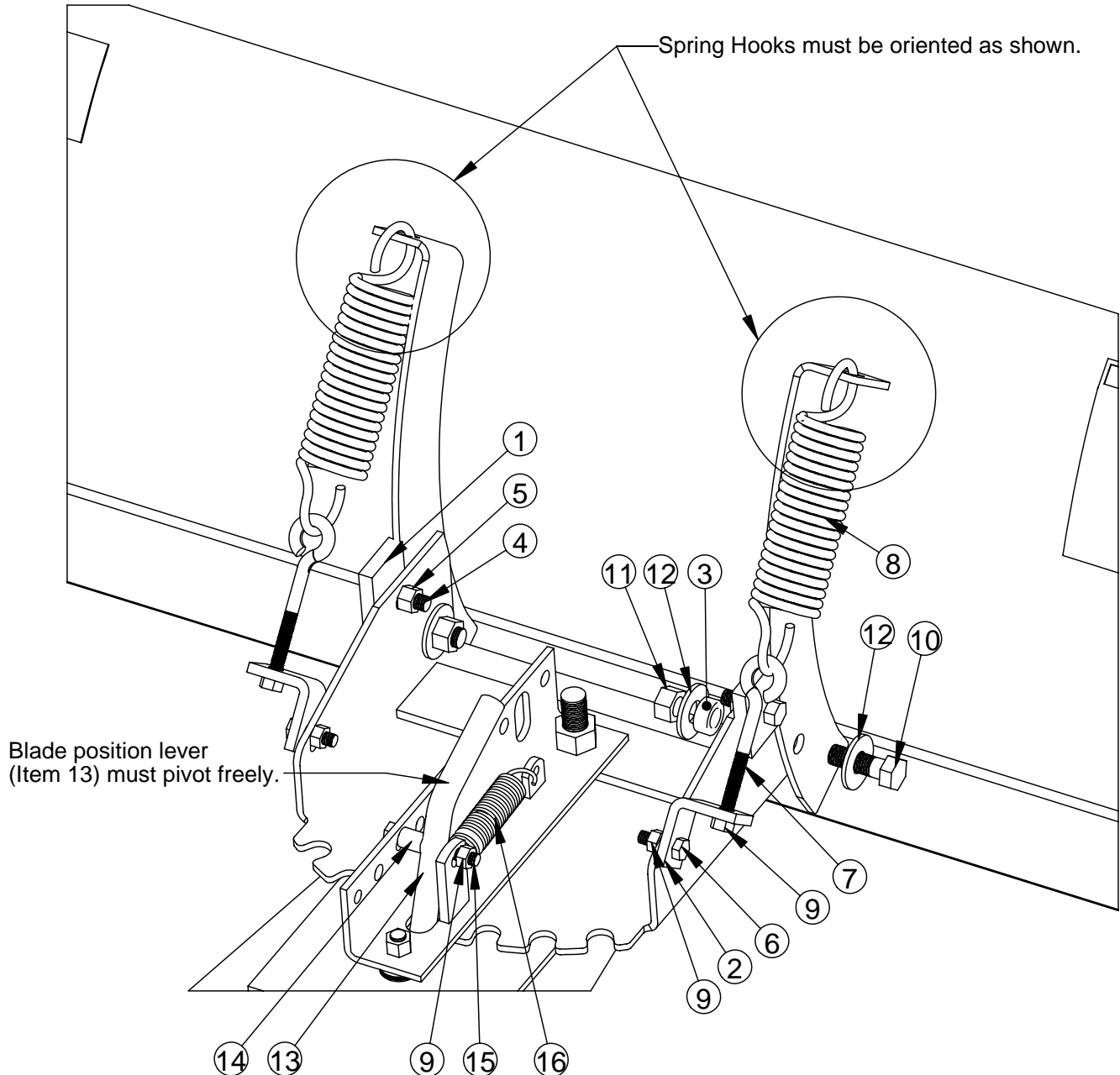


Push Tube Assembly Parts List (Comes Pre-assembled)

ITEM NO.	QTY.	PART NO.	DESCRIPTION	ITEM NO.	QTY.	PART NO.	DESCRIPTION
1	1	CYC2003	Pushtube Weldment	8	1	CYC2009	Latch
2	1	CYC2006	Blade Hinge Weldment	9	1	PUR1202	Carriage Bolt 5/16" x 3/4"
3	1	PUR1283	Locknut 5/8" Nylock	10	1	CYC2010	Latch Pin
4	1	PUR1272	Locknut 3/8" Nylock	11	2	PUR2270	Retaining Ring E-Style .5
5	1	CYC0345	Lever Bracket Assembly	12	1	PUR1437	Spring
6	3	PUR0250	Flatwasher 3/8"	13	1	PUR1275	Locknut 5/16" Nylock
7	1	CYC2008	Catch	14	1	PUR1187	Carriage Bolt 3/8" x 1-1/4"

STEP 2

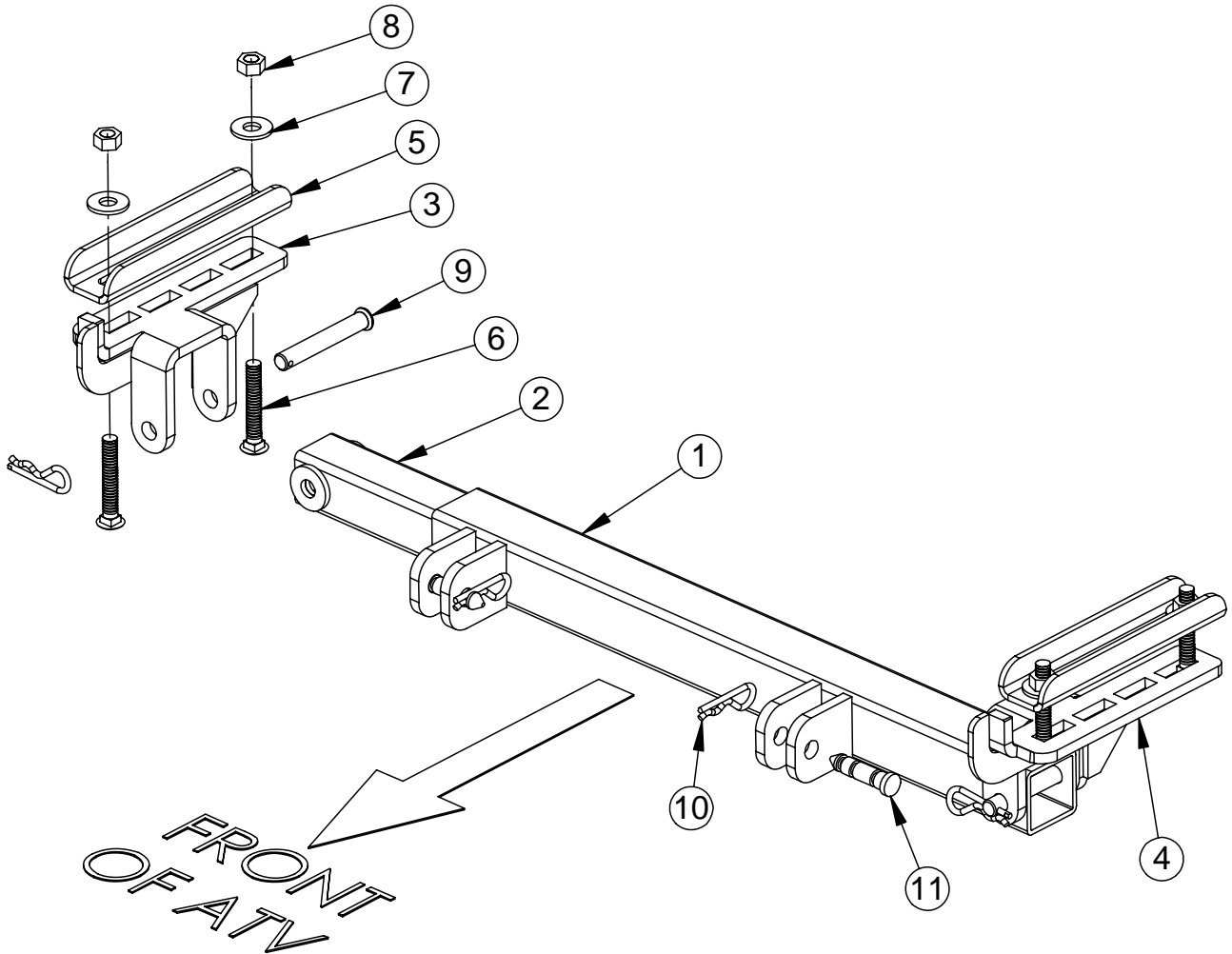
Join the plow to the push tube assembly as shown below. The blade stops (Item 1) should be positioned so that the plow is orientated vertically.



ITEM NO.	QTY.	PART NO.	DESCRIPTION	ITEM NO.	QTY.	PART NO.	DESCRIPTION
1	2	CYC0813	Blade Stop	9	5	PUR1275	Locknut 5/16" Nylock
2	2	CYC0812	Blade Spring Bracket	10	2	PUR1110	Bolt 1/2" x 1-1/2"
3	2	PUR1411	Steel Bushing 7/8"	11	2	PUR1260	Locknut 1/2" Centerlock
4	2	PUR1142	Bolt 3/8" x 1-1/4"	12	4	PUR1235	Flatwasher 1/2"
5	2	PUR1272	Locknut 3/8" Nylock	13	1	CYC2259	Blade Position Lever
6	2	PUR1155	5/16" x 1" Bolt	14	1	PUR1361	Bushing
7	2	PUR1216	Eye Bolt 5/16" x 4-1/4"	15	1	PUR1162	Bolt 5/16" x 2-1/4"
8	2	PUR1409	Blade Spring	16	1	PUR1437	Spring

STEP 3

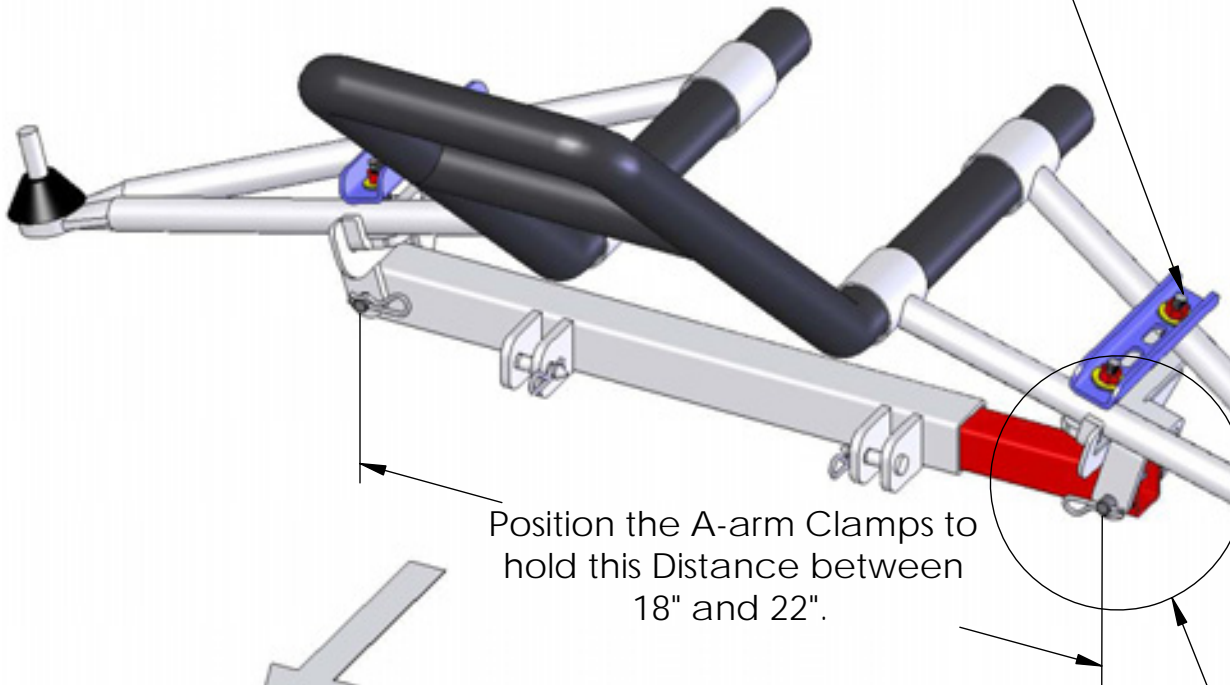
Install the plow mounting system shown below to your ATV's lower front suspension A-arms per the instructions on the following page. Remove A-Arm Guards if your ATV is equipped with them. Two spare shear pins (Item 11) and two spare hair pins (Item 10) are included.



Mounting System Parts List

ITEM NO.	QTY.	PART NO.	DESCRIPTION
1	1	CYC2011	Outer Tube Weldment
2	1	CYC5486	Slide Tube Weldment-Inside
3	1	CYC5489	A-Arm Clamp, RH
4	1	CYC5490	A-Arm Clamp, LH
5	2	CYC5494	Upper Clamp
6	4	PUR1194	Carriage Bolt 5/16" x 2"
7	4	PUR1244	Flatwasher 5/16"
8	4	PUR1275	Locknut 5/16" Nylock Clear Zinc
9	2	PUR0672	3/8" x 2-1/2" Clevis Pin
10	6	PUR1249	#3 Hair Pin
11	4	CYC2013	Shear Pin

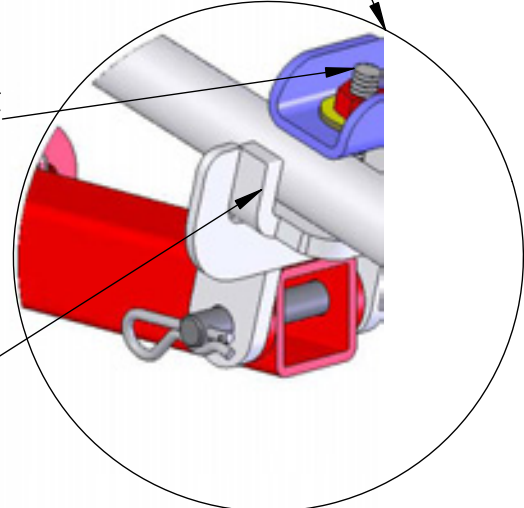
The rear attachment bolt may be positioned on either side of the rear A-arm tube.



Position the A-arm Clamps to hold this Distance between 18" and 22".



The front attachment bolt must be up against the back of the front A-arm tube.



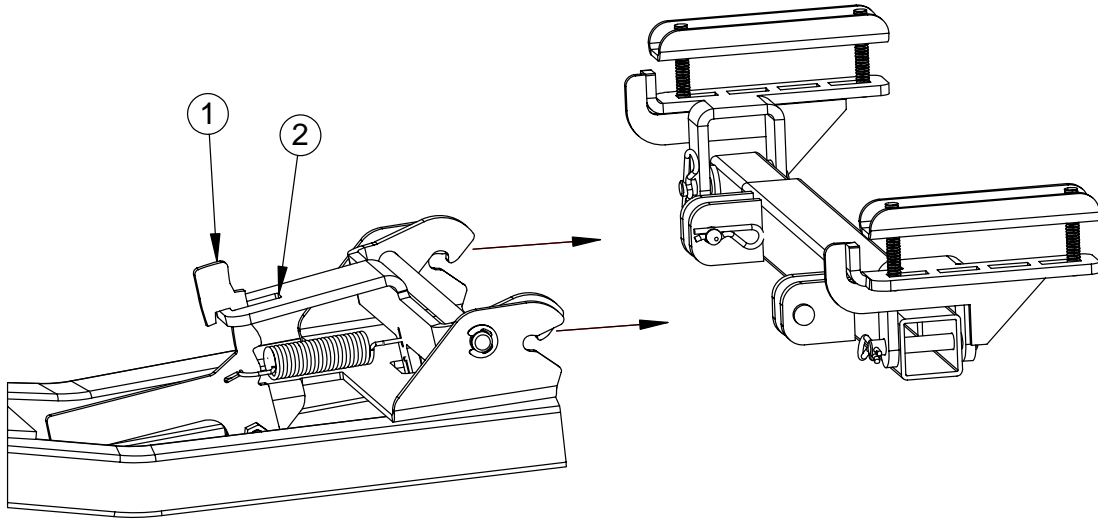
The tab on the A-arm clamp must be against the front of the A-arm tube.

The A-Arm Clamps may be interchanged from side to side as shown here to allow for proper setup.

After assembling the plow mounting system, check for clearance between the mounting system components and the ATV's wheels and undercarriage while compressing the ATV's front suspension with the steering turned all the way to either side.

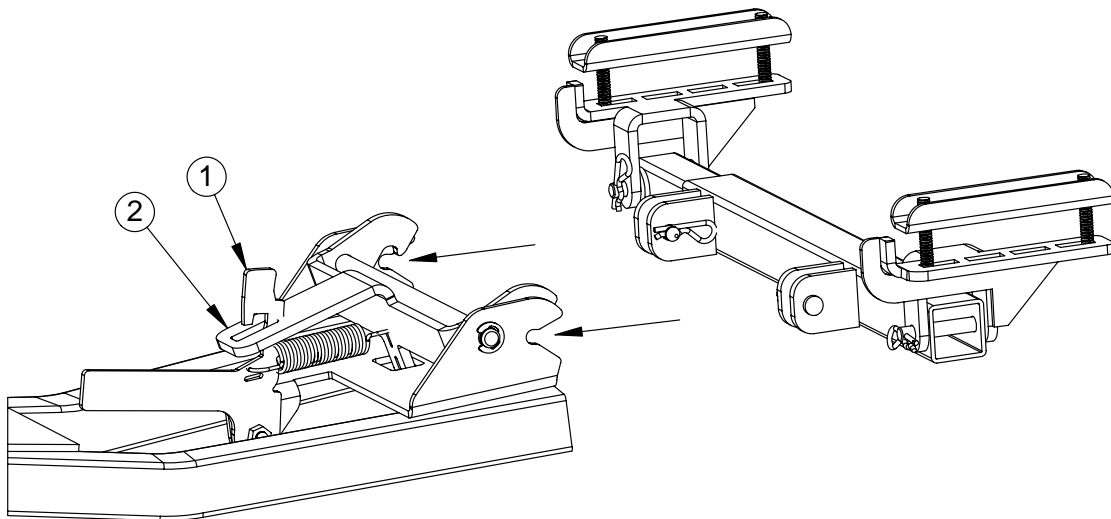
STEP 4

To attach the push tube assembly to the plow mounting system, position the catch (item 1) against the latch (item 2) as shown below, then push the push tube assembly onto the shear pins until it latches on.



STEP 5

To remove the push tube assembly from the plow mounting system, position the catch (item 1) and latch (item 2) as shown below. The push tube assembly can be pulled away from the plow mounting system.



STEP 6

Install a plow lifting system. A plow lifting system is required to raise and lower the plow and must be purchased separately. You may use a Cycle Country Electric Lift Kit (Model Number 10-0103), or you may use any commercially available ATV winch.



Cycle Country Accessories Corporation has been a world-renowned manufacturer of quality ATV products since 1981 and we hope you will enjoy your new Cycle Country accessory.

Check out our other accessories

We're the Industry Snow Blade leader:

48", 54", 60" & 72" Bear Force Straight Blades

52" & 60" State Plows

48", 60" & 72" 'V' Force Plow System

If a winch is what you must have, then you've come to the right place:

1500lb and 2500lb Winches

We also have an extensive line of winch mounts for both Cycle Country and Warn winches

If you need to haul more gear on your quad, check out our baskets:

Front Basket

Rear Basket

Rear Drop Basket

If you need to mow the trail before you go riding one of these will help:

Our 54" finish cut Quick Silver54 can be mounted in front or towed behind your ATV

The 48" Rough Cut will handle your toughest mowing jobs

The Rough Cut 44 provides an economical way to handle all your mowing needs

If you are into deer hunting and want to make a food plot, you will love our 3 Point Hitch & Implements:

Rear Blade

Moldboard Plow

Spreader

Furrower

Rake

Cultivator

Disk Harrow

And many more accessories to help you Work Hard and Play Hard:

For more information call us at 1-800-841-2222, or on the web at www.cyclecountry.com